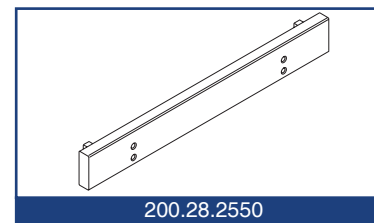
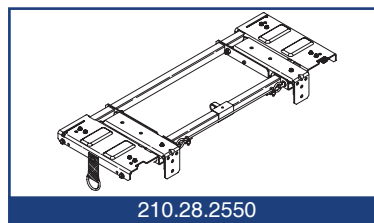
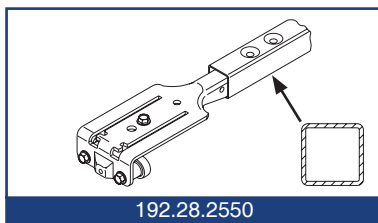




MULTILINER®
SESAM ROOFS - The ultimate collection

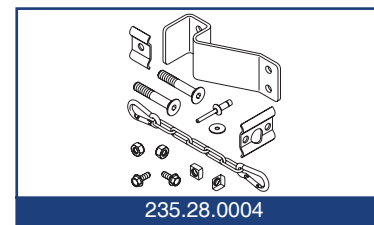
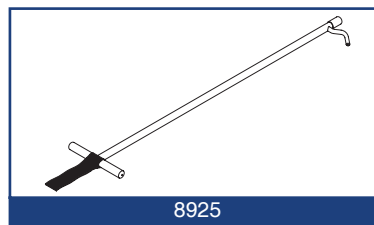
1- Sliding roof - Mixliner: folding plates 700mm

Article	Description	4790mm	5485mm	6180mm	6875mm	7570mm	8265mm	8960mm	9655mm	10350mm	11045mm	11740mm	12435mm	13130mm	13760mm
192.28.2550	Assembled roofstick 2550mm Multi	6	7	8	9	10	11	12	13	14	15	16	17	18	19
210.28.2550	Moving part 2550mm Multi	1	1	1	1	1	1	1	1	1	1	1	1	1	1
200.28.2550	Box section 120*40*2550 Multi	1	1	1	1	1	1	1	1	1	1	1	1	1	1
194.25.8700	Push-In folding plate L=692mm	10	12	14	16	18	20	22	24	26	28	30	32	34	36
194.25.8400	Push-In folding plate L=392mm	2	2	2	2	2	2	2	2	2	2	2	2	2	2
8925	Opening handle L=2400mm	1	1	1	1	1	1	1	1	1	1	1	1	1	1
235.28.0004	Kit accessories Mixliner	1	1	1	1	1	1	1	1	1	1	1	1	1	1



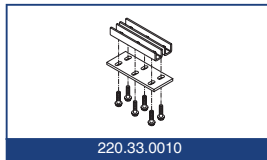
2- Sliding roof - Mixliner: folding plates 600mm

Article	Description	6009mm	6604mm	7199mm	7794mm	8389mm	8984mm	9579mm	10174mm	10769mm	11364mm	12025mm	12620mm	13215mm	13760mm
192.28.2550	Assembled roofstick 2550mm Multi	9	10	11	12	13	14	15	16	17	18	19	20	21	22
210.28.2550	Moving part 2550mm Multi	1	1	1	1	1	1	1	1	1	1	1	1	1	1
200.28.2550	Box section 120*40*2550 Multi	1	1	1	1	1	1	1	1	1	1	1	1	1	1
194.25.8600	Push-In folding plate L=592mm	16	18	20	22	24	26	28	30	32	34	36	38	40	42
194.25.8400	Push-In folding plate L=392mm	2	2	2	2	2	2	2	2	2	2	2	2	2	2
8925	Opening handle L=2400mm	1	1	1	1	1	1	1	1	1	1	1	1	1	1
235.28.0004	Kit accessories Mixliner	1	1	1	1	1	1	1	1	1	1	1	1	1	1

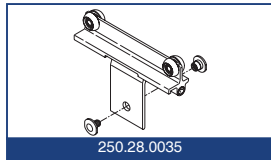
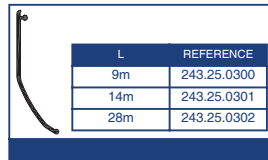




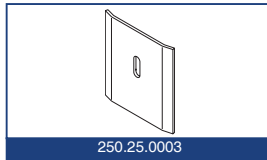
242.25.2250



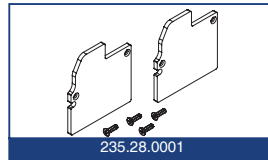
220.33.0010



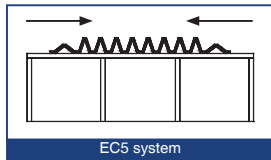
250.28.0035



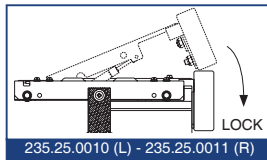
250.25.0003



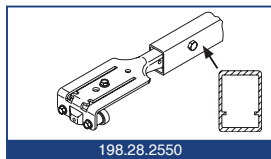
235.28.0001



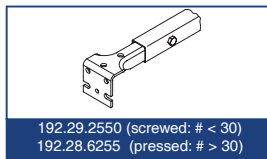
EC5 system



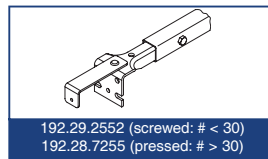
235.25.0010 (L) - 235.25.0011 (R)



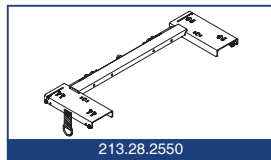
198.28.2550



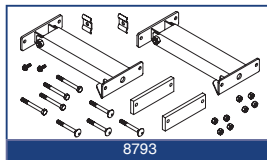
192.29.2550 (screwed: # < 30)
192.28.6255 (pressed: # > 30)



192.29.2552 (screwed: # < 30)
192.28.7255 (pressed: # > 30)



213.28.2550



8793

3-Accessories

Article	Description
243.25.0301	Multi rubber pelmet 14m - black (grey & white available)
242.25.2250	Side curtain roller Mixliner, Flatliner
220.33.0010	Mounting kit for Mixliner and Flatliner
250.28.0035	Alu pillar bracket incl. bolt and nut synthetic rollers
250.25.0003	Steel plate zined for alu pillar bracket
235.28.0001	Capping strip Mixliner 2004

4-Options

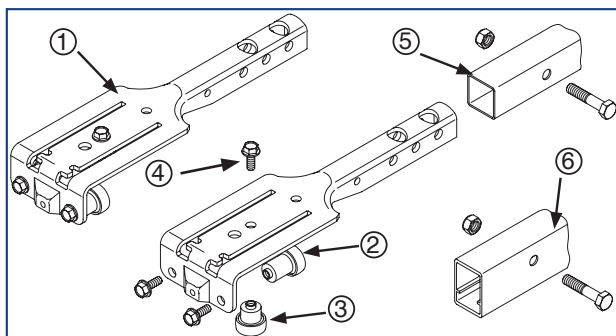
Article	Description
209.28.2550	EC5 opening for Multi
235.28.0005	EC5 accessory kit
235.25.0010	Kit locking collapsible hinge left
235.25.0011	Kit locking collapsible hinge right
	4 cables + 1 DAS roofstick
	8 cables + 2 DAS roofsticks
500.28.0501	DAS - mounting kit
202.28.1255	DAS - box beam

5-Alternatives

Article	Description
192.28.2551	Roofstick 2550mm Multi screwed
198.28.2550	Roofstick aluminium 2550mm Multi
213.28.2550	Moving part Multiliner - welded - 2550 mm
8793	Accessory kit - moving part Multiliner - welded - 2550 mm
200.26.2550	Box section 120*40*2550 galvanised
192.29.2550	Fixed roof to suit steel/polyester plate - 2550mm - screwed
192.28.6255	Fixed roof to suit steel/polyester plate - 2550 mm - pressed
192.29.2552	Fixed roof to suit canopy Mixliner 2550 - screwed
192.28.7255	Fixed roof to suit canopy Mixliner 2550 - pressed
203.28.2550	Box beam 80*40*2550
218.28.1025	Collapsible backside for fixed roof

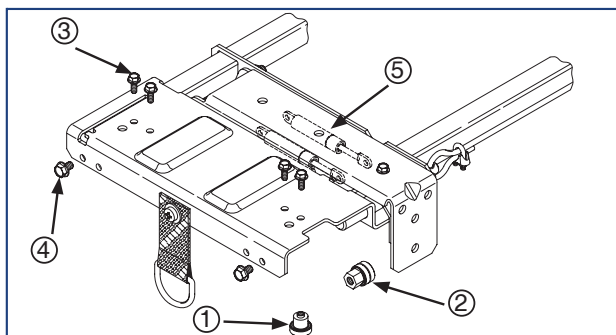


1-General: Spare parts



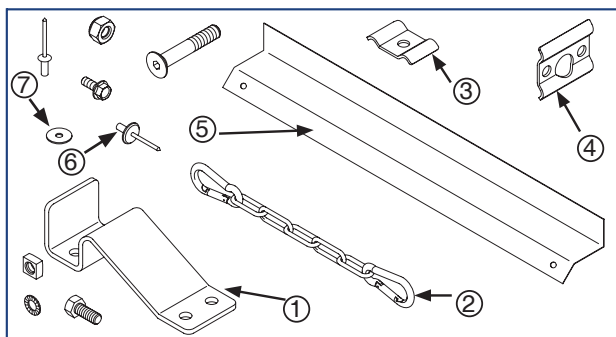
ROOFSTICK MIX 2004

DESCRIPTION	REFERENCE
1 Assembled bracket Multi	[191.28.8802]
2 Roller bearing synthetic Multi	[120.26.0001]
3 Shortened roller bearing synthetic Multi	[120.26.0002]
4 Tensilock bolt zinced M6	[8717]
5 Drilled steel tube 30*30*1.5*2185	[8562]
6 Drilled alu. reinforced tube L=2185mm	[181.25.2070]



REAR HEADER MIX 2004

DESCRIPTION	REFERENCE
1 Shortened roller bearing Multi	[120.25.0002]
2 Double roller bearing M8 Multi	[120.25.0007]
3 Tensilock bolt zinced M6	[8717]
4 Tensilock bolt zinced M8	[140.25.8718]
5 Gas spring 600N	[130.25.0600]

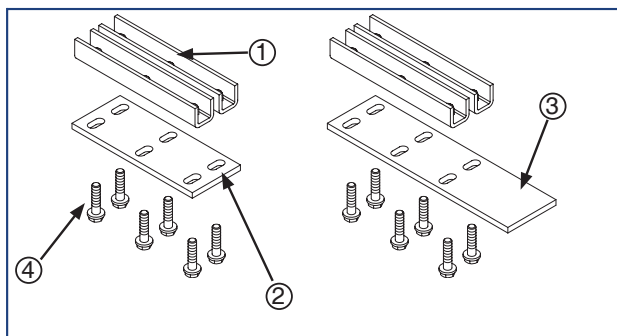


ACCESSORY KIT EC4

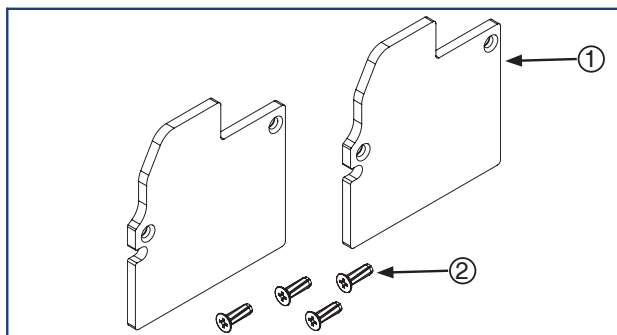
DESCRIPTION	REFERENCE
1 Retaining wedge Mixliner	[280.28.8860]
2 Chain with 2 spring hooks	[8820]
3 Small stainless steel rope clamp plate	[8737]
4 Stainless steel rope clamp plate	[8736]
5 Stainless steel press plate Mix 2004	[205.25.8314]
6 Rivet for fixation of canopy	[8030]
7 PVC-washer for fixation of canopy	[8035]

* [8030]+[8035] = [235.25.0006]

2-Accessories: Spare parts

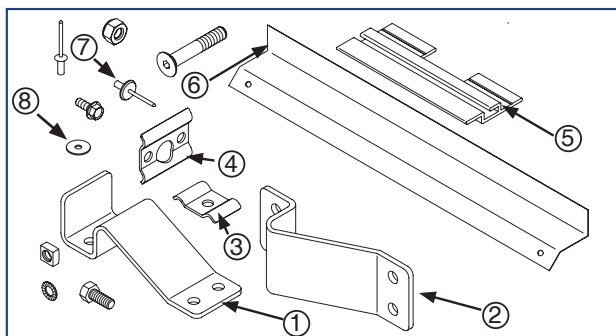


MOUNTING KIT		
	DESCRIPTION	REFERENCE
1	U-profile mounting plate M10	[220.25.2003]
2	Short mounting plate	[220.25.2001]
3	Long mounting plate	[220.25.2002]
4	Bolt M10	[140.25.0025]



CAPPING STRIP		
	DESCRIPTION	REFERENCE
1	Cappingstrip rail Mixliner 2004	[205.28.1304]
2	Screw M5x16 DIN7516 DE-H vz	[140.25.0038]

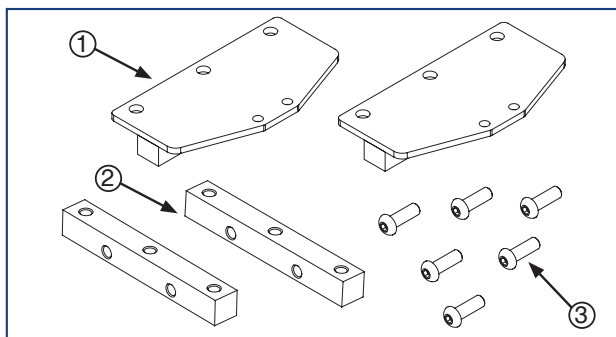
3-Options



* [8030]+[8035] = [235.25.0006]

ACCESSORY KIT EC5

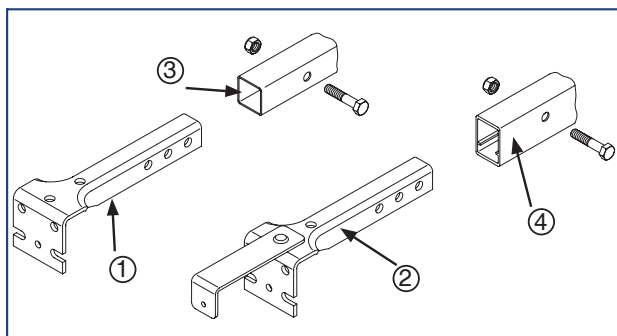
DESCRIPTION	REFERENCE
1 Retaining wedge Mixliner	[280.28.8860]
2 Retaining wedge Mixliner EC5	[280.28.8865]
3 Small stainless steel rope clamp plate	[8737]
4 Stainless steel rope clamp plate	[8736]
5 Mounting device for folding plate on header	[194.25.8828]
6 Stainless steel press plate Mix 2002-2004	[205.25.8314]
7 Rivet for fixation of canopy	[8030]
8 PVC-washer for fixation of canopy	[8035]



RRS - MOUNTING KIT

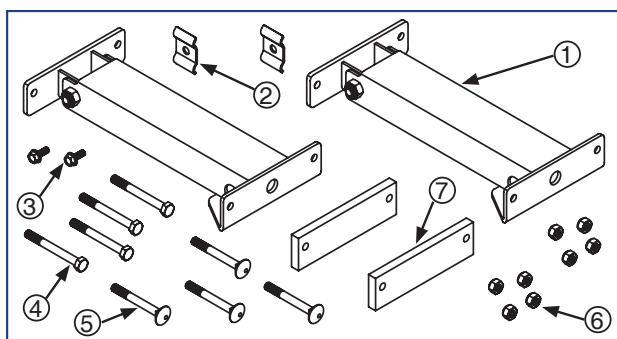
DESCRIPTION	REFERENCE
1 Mounting plate cables RRS Multiliner	[500.28.0010]
2 Mounting block 190x25x25mm 5xM10	[220.25.2004]
3 Bolt M10x30	[140.25.0005]

4-Alternatives



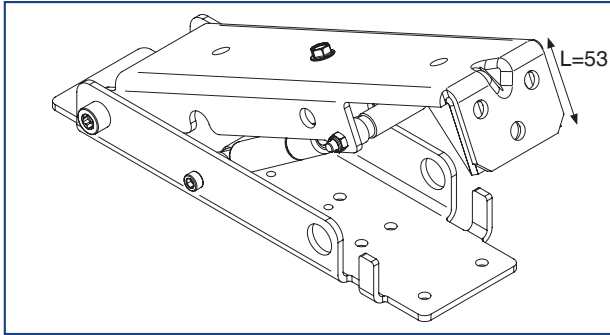
FIXED ROOF

	DESCRIPTION	REFERENCE
1	Bracket fixed roof	[190.19.6010]
2	Bracket fixed roof with canopy cover	[191.29.6016]
3	Drilled steel tube 30*30*1.5*2185	[180.25.0000]
4	Drilled alu. reinforced tube L=2185mm	[181.25.0000]



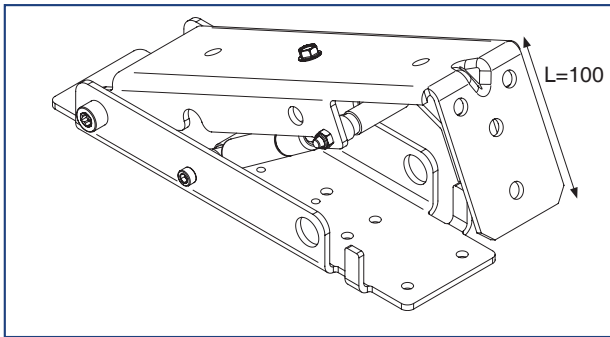
ACCESSORY KIT REAR HEADER

	DESCRIPTION	REFERENCE
1	Gas spring mechanism 1x750N	[87447501]
2	Small stainless steel rope clamp plate	[8737]
3	Tensilock bolt zinced M6	[8717]
4	Bolt M8x75 DIN933 Kw8.8 vz	[8700]
5	Bolt M8x70 DIN603 Kw8.8 vz	[8701]
6	Securing Nut M8 DIN985 vz	[150.25.0006]
7	Rubber strip	[8741]



GAS SPRING MECHANISM

	DESCRIPTION	REFERENCE
1	Collapsible hinge, L = 53 mm	[205.33.0060]



GAS SPRING MECHANISM

	DESCRIPTION	REFERENCE
1	Collapsible hinge, L = 100 mm	[205.33.0100]