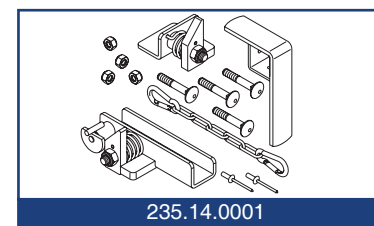
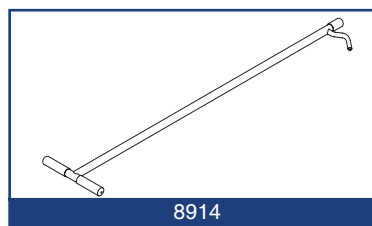
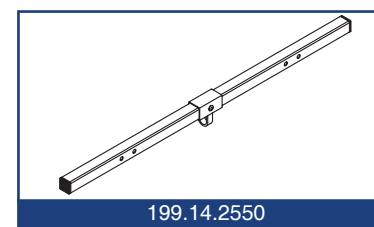
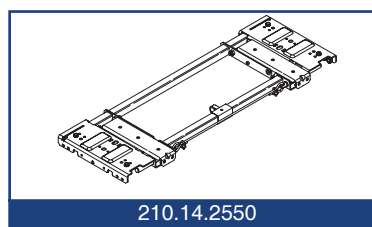
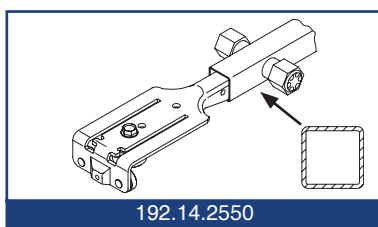


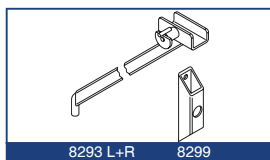
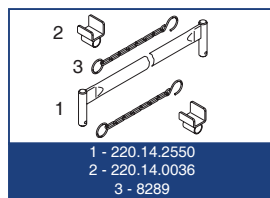
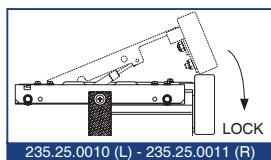
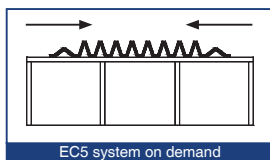
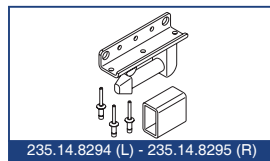
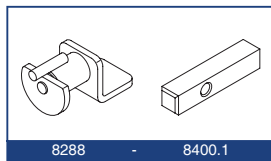
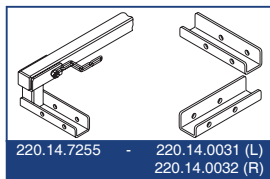


**MEGALINER®**  
SESAM ROOFS - The ultimate collection

### 1- Sliding roof - Megaliner: folding plates 600mm

Article	Description	6009mm	6604mm	7199mm	7794mm	8389mm	8984mm	9579mm	10174mm	10769mm	11364mm	12025mm	12620mm	13215mm	13760mm
192.14.2550	Roofstick 2550mm Megaliner screwed	9	10	11	12	13	14	15	16	17	18	19	20	21	22
210.14.2550	Moving part 2550mm Megaliner	1	1	1	1	1	1	1	1	1	1	1	1	1	1
199.14.2550	Box section Megaliner 30*30*2550	1	1	1	1	1	1	1	1	1	1	1	1	1	1
<b>194.25.8600</b>	<b>Push-In folding plate L=592mm</b>	16	18	20	22	24	26	28	30	32	34	36	38	40	42
<b>194.25.8400</b>	<b>Push-In folding plate L=392mm</b>	2	2	2	2	2	2	2	2	2	2	2	2	2	2
8914	Opening handle L=1400mm	1	1	1	1	1	1	1	1	1	1	1	1	1	1
235.14.0001	Kit accessories Megaliner	1	1	1	1	1	1	1	1	1	1	1	1	1	1





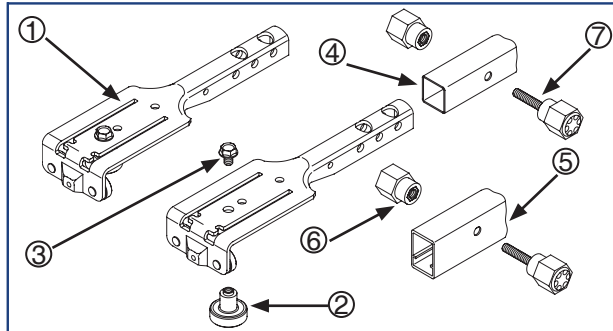
## 2-Accessories

Article	Description
220.14.7255	Front sleeve (> On bulkhead)
220.14.0031	U-profile left (> Against bulkhead)
220.14.0032	U-profile right (> Against bulkhead)
231.14.7200	Mega track with nose, L=7200mm
8400.1	Connection piece Mega track
8288	Mounting cup Mega track
235.14.8294	Pillar holder Megaliner left
235.14.8295	Pillar holder Megaliner right

## 3-Options

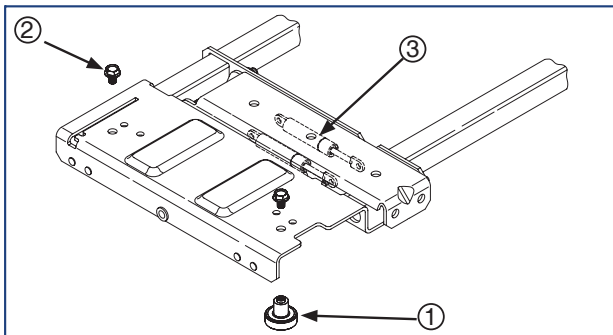
Article	Description
235.25.0010	Kit locking collapsible hinge left
235.25.0011	Kit locking collapsible hinge right
8293L	Shore Mega Left
8293R	Shore Mega Right
8299	Support
220.14.2550	Stabilising bar Mega 2550mm
220.14.0036	Mounting cup for stabilising bar
8289	Chain for stabilising bar

## 1-General: Spare parts



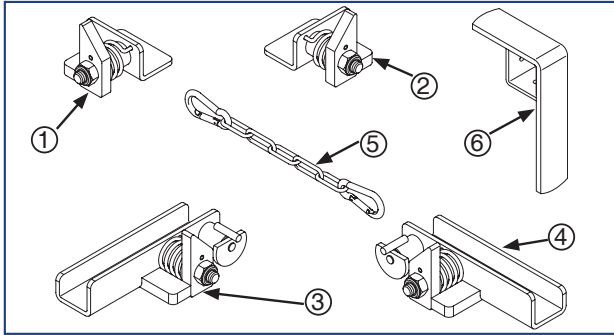
### ROOFSTICK

DESCRIPTION	REFERENCE
1 Assembled bracket Mega	[191.14.8802]
2 Single roller bearing for Mega	[120.14.0001]
3 Tensilock bolt zincd M8	[140.25.8718]
4 Drilled steel tube 30*301.5*2185	[8563]
5 Drilled alu reinforced tube L=2185mm	[181.25.2080]
6 Bumper	[8540]
7 Bumper with spindle	[193.25.2000]
> 8540 + 8541	



### REAR HEADER

DESCRIPTION	REFERENCE
1 Single roller bearing for Mega	[120.14.0001]
2 Tensilock bolt zincd M8	[140.25.8718]
3 Gas spring 600N	[130.25.0600]



#### ACCESSORY KIT EC4

DESCRIPTION	REFERENCE
1 Retaining wedge Mega right front	[280.14.0025]
2 Retaining wedge Mega left front	[280.14.0020]
3 Retaining wedge Mega left back	[280.14.0030]
4 Retaining wedge Mega right back	[280.14.0035]
5 Chain with 2 spring hooks	[8820]
6 Canopy retainer	[205.14.1500]